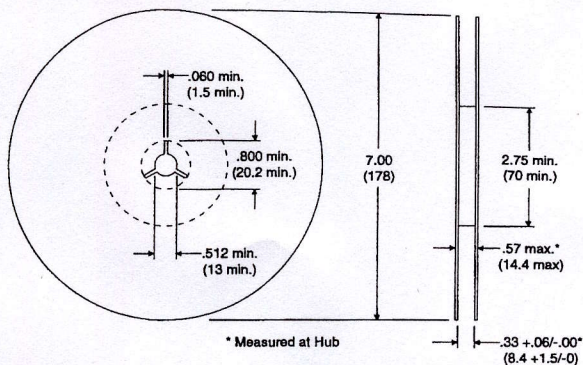


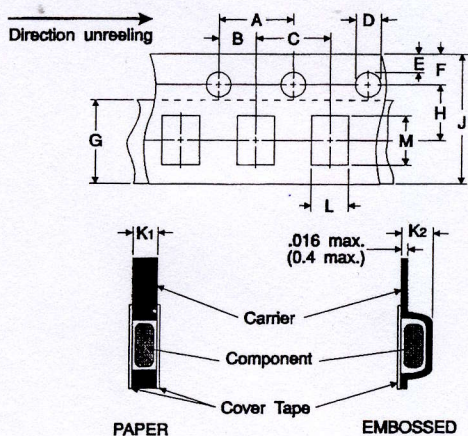
Packaging - Chip Resistors - RM, RN Series

CHIP RESISTOR REEL Nominal Dimensions Inches (mm)



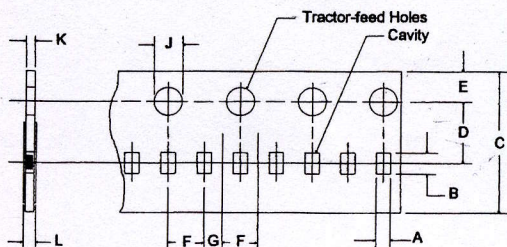
PACKAGING: CHIPS Per EIA Standard RS-481

A	B	C	D	E	F	G	H	J	
.16±.01 (4.0±0.1)	.08±.01 (2.0±0.1)	.16±.01 (4.0±0.1)	.06+.01/-0 (1.5+0.1/-0)	.04 (1.0)	.069 (1.75)	.20 (5.0)	.138±.002 (3.50±0.05)	.32±.01 (8.0±0.1)	
					K1	K2	L	M	
					RM06	.04 max. (1.1 max.)	---	.04±.01 (1.1±0.2)	.08±.01 (1.9±0.2)
					RM10	.04 max. (1.1 max.)	0.30±.004 (0.75±0.10)	.065±.008 (1.65±0.20)	.09±.01 (2.4±0.2)
					RM12	.04 max. (1.1 max.)	.09 max. (2.4 max.)	.08±.01 (2.0±0.1)	.138±.002 (3.50±0.05)
					RM14	---	.09 max. (2.4 max.)	.11±.01 (2.8±0.2)	.14±.01 (3.6±0.2)
					RM20	---	.09 max. (2.4 max.)	.11±.01 (2.8±0.2)	.21±.01 (5.3±0.2)
					RM25	---	.09 max. (2.4 max.)	.15±.01 (3.8±0.2)	.26±.01 (6.6±0.2)
					RN10	.04 max. (1.1 max.)	---	.065±.008 (1.65±.20)	.09±.01 (2.4±0.2)
					RN12	.04 max. (1.1 max.)	.09 max. (2.4 max.)	.08±.01 (2.0±0.1)	.138±.002 (3.50±0.05)



Notes: 5,000 per reel - 1/16, 1/10 & 1/8 watt; 4,000 per reel - 1/4, 1/2, & 1 watt.
Available options - 10,000 piece reels. Embossed tape (standard on 1/4, 1/2 & 1 watt).

PACKAGING: RM 04 CHIPS (2mm Pitch)



A	B	C	D	E
.026+.004/-0.002 (0.65+0.10/-0.05)	.045+.004/-0.002 (1.15+0.10/-0.05)	.315±.008 (8.00±0.20)	.138±.002 (3.50±0.05)	.069±.004 (1.75±0.10)
F	G	J	K	L
.079±.002 (2.00±0.05)	.039±.002 (1.00±0.05)	.059+.004/-0.000 (1.50+0.10/-0.000)	.016+.002/-0.000 (0.40+0.05/-0.000)	.020 max. (0.50 max.)

STANDARD TAPE PACKAGING

2mm Pitch - 10,000 per reel
Reel Diameter - 7.0 (178)
Reel Width - .315 (8.0)